

# SPECIFICATIONS

## SUBSEA LED LIGHT SPOT



### Description

The Ixys Subsea LED Light Spot is a compact Light with Ethernet connection for dimming.

The outer body consist of an acrylic dome for spreading the light and a titanium base for heat transportation.

The Subsea Light has an impressive illumination of 3150 lumens at 24 V DC @ 1.1A. It fits to a variety of subsea applications, from small ROV's to large well intervention packages.

### Features

- High Power LEDs
- Integrated Electronics
- Compact and low weight
- Depth rated to 3000m
- Color Temperature 4100K
- 3150 Lumen at 24 V DC (1.1A)
- 80° width angle for Beam of Light
- Dimmable
- Accurate 1-100% output
- 0-5 V DC and Ethernet control
- Modbus TCP/UDP protocol

# SPECIFICATIONS

## SUBSEA LED LIGHT SPOT

### General Technical Specifications

Type		Subsea LED Light Spot
Dimensions w/connector	mm	94x94x87
Weight in air	g	~1080
Temperature Operational (ambient)	°C	-20 to +20
Temperature Storage	°C	-40 to +60

### Electrical

Supply Voltage	V DC	24 (22-30)
Power Consumption	W	~30

### Performance

Depth Rating	m	3000
Voltage dimming 0-5Vdc	V DC	0-5

### Communication

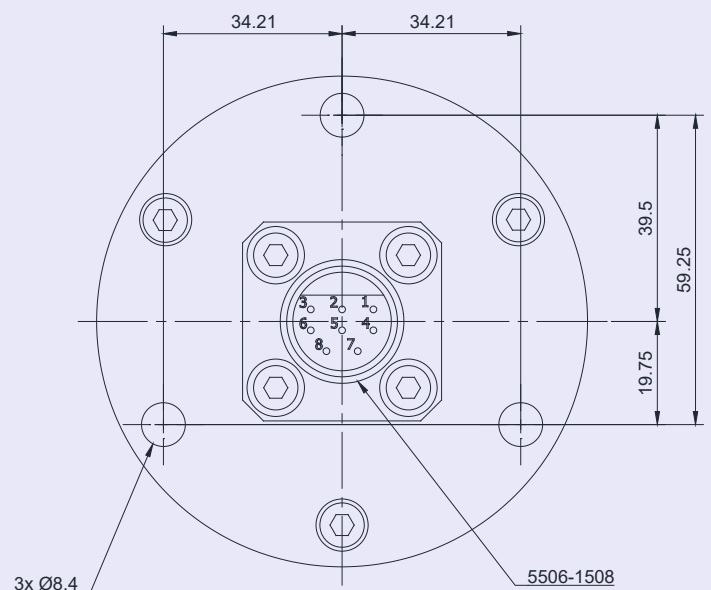
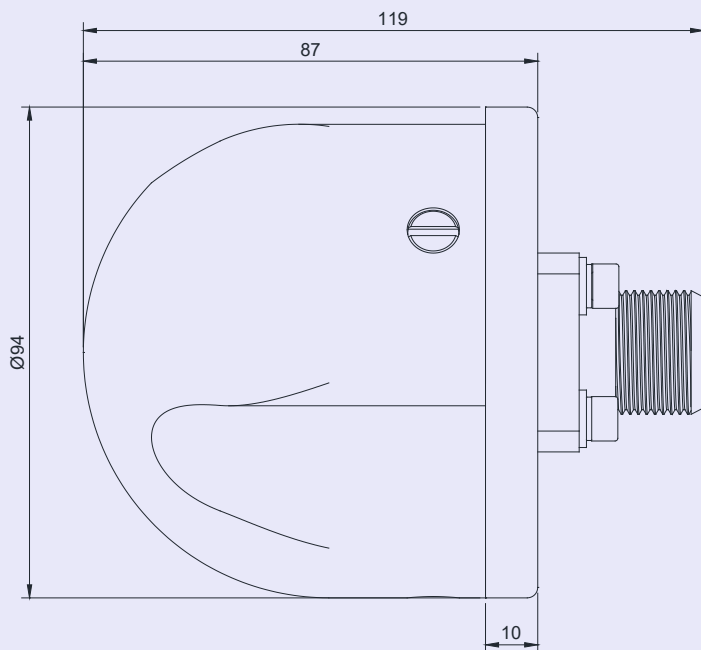
Ethernet	Mbps	10
Default IP		10.0.37.248

### Ordering Part Numbers

Description	<b>Part Number</b>
Subsea LED Light Spot	100414

# SPECIFICATIONS

## SUBSEA LED LIGHT SPOT



Pinout:

- 1: 0 V
- 2: 24 V DC
- 3: 0 - 5 V DC
- 4: NC
- 5: Ethernet TX+
- 6: Ethernet TX-
- 7: Ethernet RX+
- 8: Ethernet RX-





I X X S